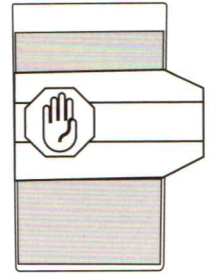
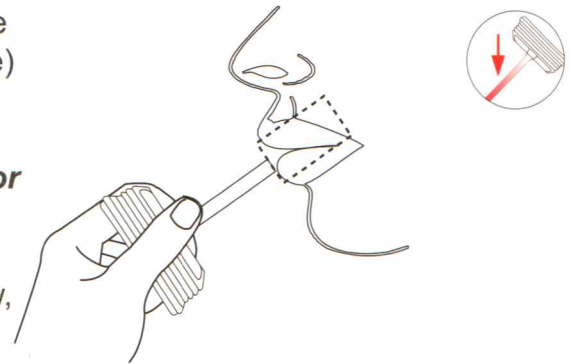


- Bring tests and specimens to room temperature (15-30°C/59-86°F) before use. Donors should avoid placing anything (including food, drink, gum and tobacco products) in their mouth for at least 10 minutes prior to specimen collection.
- The oral fluid specimen should be collected using the collector provided with the kit. No other collection devices should be used with this drug test.

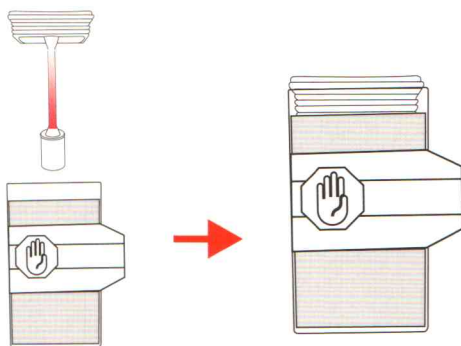


**A** Remove the collector from the sealed pouch, have donor sweep inside of mouth (cheek, gum, tongue) several times, then hold swab in mouth until color on the saturation indicator strip appears in the indicator window. **Important: Do not bite, suck, or chew on the sponge.**

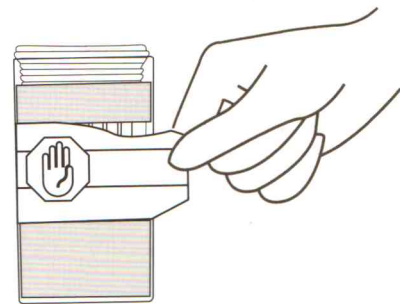
**Note:** If after 7 minutes, color on the saturation indicator has not appeared in the indicator window, proceed with step B of the test.



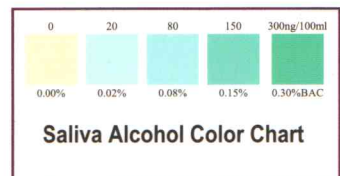
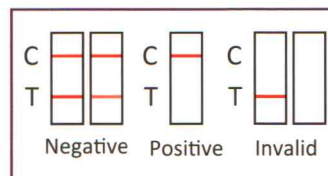
**B** Place the test device on a clean and flat surface. Remove the collection sponge from the mouth and insert the sponge into the screening device, press until the collector cap is sealed with the device tightly. **Keep upright on flat surface when inserting and pressing the sponge.**



**C** **Keep upright while test is running.** Peel off the label to view results.



**D** Read the results at 10 minutes. Read saliva alcohol pads at 3 minutes.



Note: 1, Once the collection sponge locks in place, the device is airtight, tamper evident, and ready to be disposed or sent to lab for confirmation (on presumptive positive result).  
 2, In the case of no flowing even with enough saliva specimen, or the saliva is too thick to run, please move the device (keep upright, don't tilt) back and forth on the flat surface for several times. Do not tilt during the whole process.